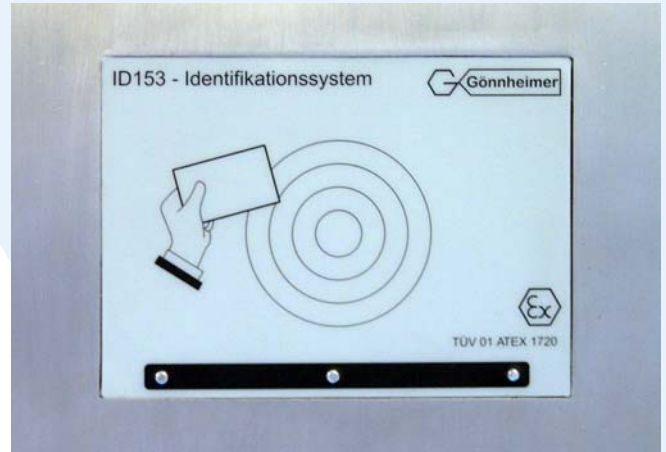


Modular Explosion protection  
Mounting in Ex Area Zone 1, Zone 2



## Characteristics

- 👉 **Modular and compact system, direct mounting inside hazardous area**
  - Customizable by integration of different card reader types / systems
- 👉 **EC- Examination certificate**
  - TÜV 01 ATEX 1720 X
- 👉 **Ex- protection**
  - II 2 G; EEx q II T4
- 👉 **Multiple standardized card reader types**
  - Trovan, Mifare, Legic, Hitag, etc.
- 👉 **Multiple interfaces**
  - USB, RS232, RS485, RS422, custom types
  - Potential free relay contact output
- 👉 **Simple connection in Ex Zone**
  - Interface free Ex e connection
- 👉 **Customized housings with high protection level**
  - Stainless steel, IP65/66
- 👉 **Built in LEDs for local feedback**
  - Multiple LEDs for direct operation feedback (if supported by card reader HW)



The ID153 can be delivered with different Hardware reader platforms, supporting different protocols, like TROVAN, MI-FARE, LEGIC, HITAG etc.

The ID153 is designed as a RFID system, for contactless reading of transponder tags and cards.

The tag or card data will directly be transmitted to a central controller e.g. for time stamping or operator access or they can be forwarded to supervisory control systems.

In combination with a PC100 Ex PC or operator station, the ID153 offers the opportunity to upgrade it with an effective operator access control in hazardous area.

In combination with an electrical door opener, the ID153 can be used for a simple physical access control for rooms or buildings. For this application, it can also be delivered with high current potential free relay contact outputs.

The ID153 can be connected to the PC100 control systems or door opener system, using the existing Ex e terminal room.

The waving of intrinsically safe connections makes additional interfaces and the verification of Ex i loops unnecessary.

## Description

The ID153 Identification System, for stand-alone use or for use in combination with Ex-PC100 system is developed for direct installation in hazardous area Zone 1 and 2.

## Technical Data

		Identification system ID153
General	Mounting	Ex Area, Zone 1 and 2
	Ex- protection	II 2 G, EEx q II T4
	Ambient temperature	-20°C ...+60°C
Housing	Dimensions	H x W x D: 136 mm x 100 mm x 37 mm (ID153 module type 0) H x W x D: 150 mm x 89 mm x 37 mm (ID153 module type 1) H x W x D: 220 mm x 120 mm x 55 mm (Stainless steel housing)
	Protection level	Module type x: IP40, complete housing: IP65 (IP66 on demand)
	Material	Stainless steel V2A, (V4A on demand)
Reader - Specification	Reading distance	1-5 cm (depending on Reader-HW)
	Interface	<ul style="list-style-type: none"> <li>• USB, RS232, RS485, RS422, custom types</li> <li>• Relay output</li> </ul>

## Type code

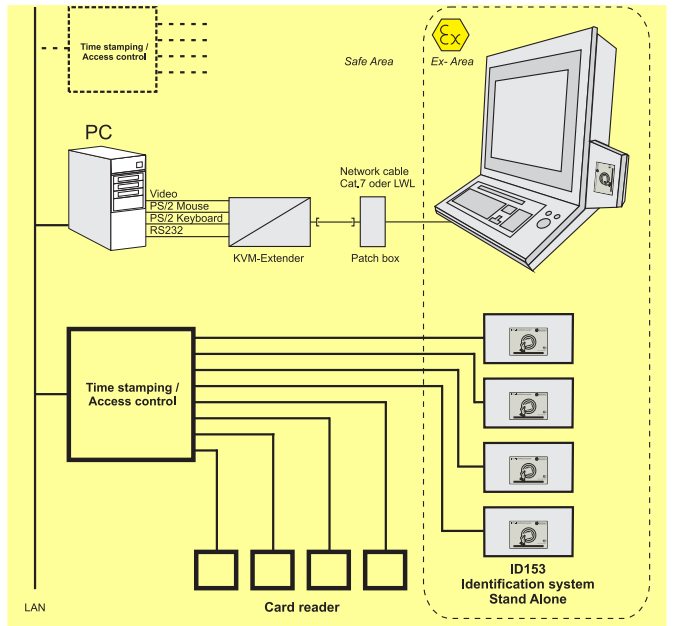
ID153	.	.	.	.	.	.
Card type:	Trovan.....	.0				
	Mifare.....	.1				
	Legic.....	.2				
	Custom.....	.9				
Option:	Simple module	.0				
	Complete	.6				
Module type*:	Module type 0.....	.0				
	Module type 1.....	.1				
Housing type:	PC100 extension housing ..	.0				
	Wall mounting housing.....	.1				
	Custom.....	.9				
Interface	RS232 (5V Supply) .....	.0				
	RS485 .....	.1				
	USB.....	.2				
	Primion- interface .....	.3				
	RS232 (24V Supply) .....	.4				
Model	Ex proved .....	.0				
	Non Ex .....	.1				

\*: Specify cable length of connection cables in clear text (Standard: 1m)

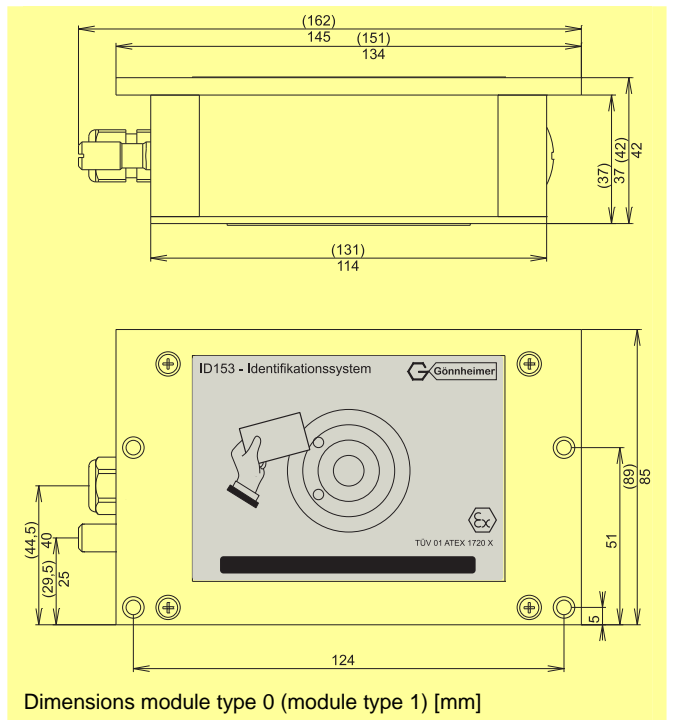
## Examples



## Application samples



## Dimensions samples



# Gönnheimer Elektronik GmbH

http://www.goennheimer.de Email: info@goennheimer.de

Zertifiziertes  
**Qualitäts-**  
Managementsystem  
nach  
DIN EN ISO 9001

Dr.-Julius-Leber-Straße 2  
67433 Neustadt/Weinstraße  
Postfach 10 05 07  
67405 Neustadt, Germany  
phone: +49 (6321) 49919- 0  
fax: +49 (6321) 49919 - 41