

Digital Indicator

D122.PA/FF

Fieldbus interface for Profibus PA /
Fieldbus Foundation FF H1



Properties

👉 **Gas- and dust Ex-potection:**
II 2(1) G, Ex ib [ia Ga] IIC T6/T5 Gb,
II 2(1) D, Ex ib [ia Da] IIIC T135°C Db
Ex- according FISCO- model

👉 **Digital field bus indicator**

- Ex-i indicator D122.PA/FF for fieldbus networks
- Takes energy out of field bus (< 10 mA). This enables a simple installation in the hazardous area without additional power supply
- High Ex-limits, usable up to temperature class T6

👉 **Display**

- 5-digit 7-Segment display
- LC-Display, digit height 30 mm
- Fast bar graph for trend observation (41 segments, several refreshes per second)

👉 **Housing**

- Durable powder-coated aluminium housing
- Dimensions (HxWxD) 140x140x72 [mm]
- Protection class IP66
- Color RAL 7035

👉 **Ergonomics**

- µ-Processor technology for extensive configuration
- Scaleable by keys and LCD
- Bus failure alarm via blinking LED
- Status control button
- Keeps the configuration after turn off
- Change of configuration during operation possible
- Exchangeable dimension signs
- Simple bus connection and cascading with double clamps
- Warning by limit value marks if actual limits are exceeded

👉 **Service**

- Customized calibration



Description

The digital indicator D122.PA/FF operates as an indicator for process data in a Profibus PA or field bus foundation H1 network.

The indicator behaves as a "Listener", i.e. it does not appear in the bus as a participant with an own address. It separates a programmed field bus address and indicates the value of this address.

The advantage of this conception is that the D122.PA/FF must not be initialized by the bus master and does not in-crease bus traffic.

The programming of the address can be done by the front side keyboard and is code word protected.

The process value of the sensor or actuator is indicated as a number of five figures. The process value status is shown by limit value marks.

Beside the measured value, the display includes a 41 segment bar graph for fast trend observation, which can be scaled separately from the indicator value.

The D122.PA/FF is built into a durable powder-coated aluminium housing.

Technical Details

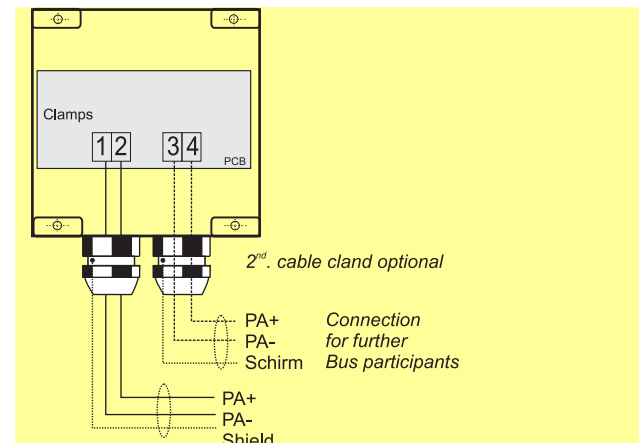
D122.PA/FF	
Ex- protection	II 2(1) G, Ex ib [ia Ga] IIC T6/T5 Gb, II 2(1) D, Ex ib [ia Da] IIIC T135°C Db
EC- type certificate	TÜV 99 ATEX 1488 IECEX TUN 14.0011
Ex- limits	See EC- type certificate
Transfer mode system	According to IEC 61158-2
Display	5-digit -7-segment LCD Bar graph 41 segments
Figure height	30mm
Display range	-99999 ... +99999
Dimension symbols	Free selectable
Decimal points	Selectable by keyboard
Limit- alarming	Limit marks
Auxiliary power	None, supply via Bus, 9 .. 30V
Current consumption	< 10 mA
Status control key	Direct display of status codes
Housing	Field housing
Protection class	IP 66 acc. EN 60529
Dimensions H x W x D	140 x 140 x 71 mm
Material	Aluminium, powder-coated
Weight	900 g
Colour	RAL 7035
Ambient temperature Ta	-10°C ...+45°C at T6 or. -10°C ...+60°C at T5 devices for -20°C on demand

Type code D122.PA/FF

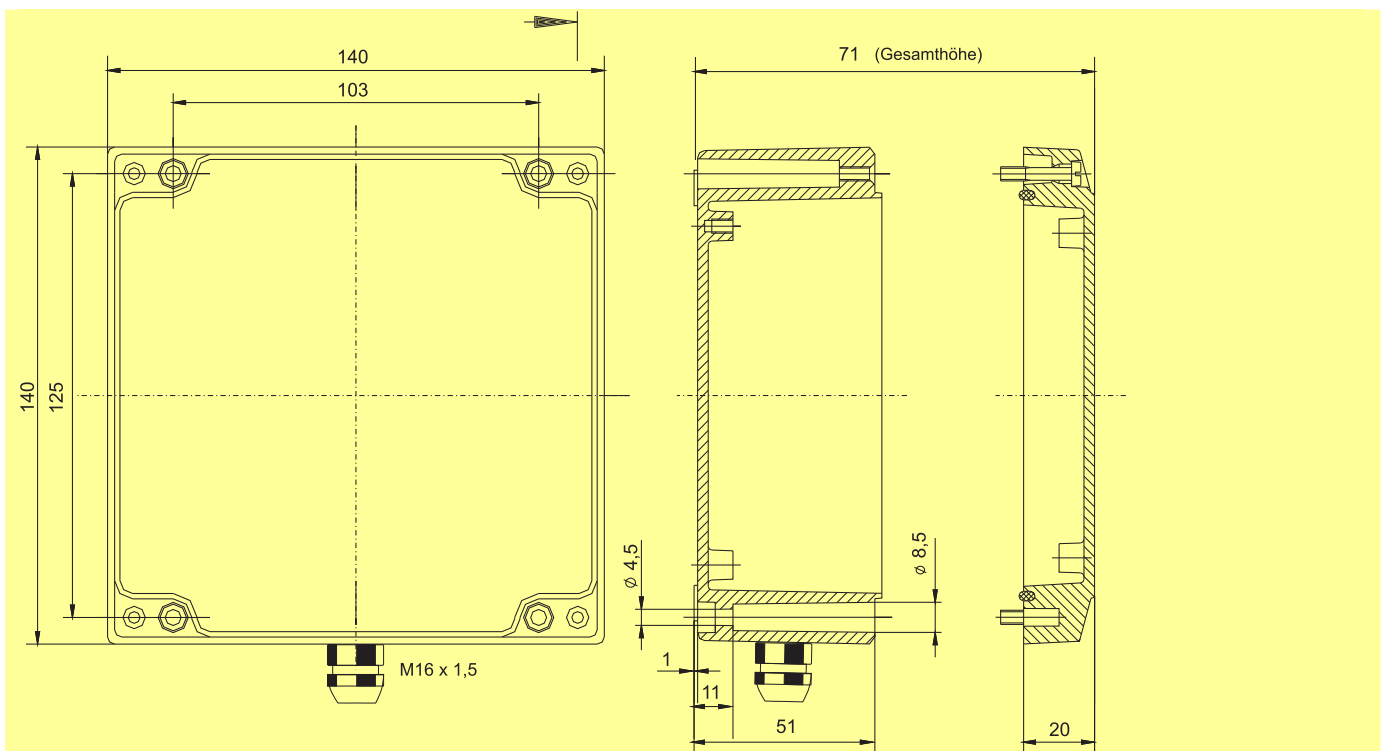
Digital indicator D122	.	.	.
Device type: Profibus PA	PA		
Fieldbus FF H1	FF		
Housing:			
Aluminum field housing7		
Not available			.0
Option:			
One channel indicator0		
Three channel indicator for PA / FF3K		

Second cable gland M16 x 1,5 for bus wiring as option

Connection to Field bus



Dimensions D122.PA/FF [mm]



Gönnheimer
Elektronik GmbH

<http://www.goennheimer.de> Email: info@goennheimer.de



Dr.-Julius-Leber-Straße 2
67433 Neustadt/Weinstraße
Postfach 10 05 07
67405 Neustadt, Germany
phone: +49 (6321) 49919- 0
fax: +49 (6321) 49919 - 41