

Suitable for Ex- Zone 1 & 21

IECEX TUN 14.0029

TÜV 02 ATEX 1824



Characteristics

Ex- protection

- II 2 G; Ex e q IIC T4 Gb
- II 2 D; Ex t IIC T108°C Db

Certification

- IECEX: TUN 14.0029
- ATEX: TÜV 02 ATEX 1824

Easy handling

- Compact design
- Direct installation in Ex- Area; Zone 1 and 21
- Cascading of several power relays possible

Switching capacity

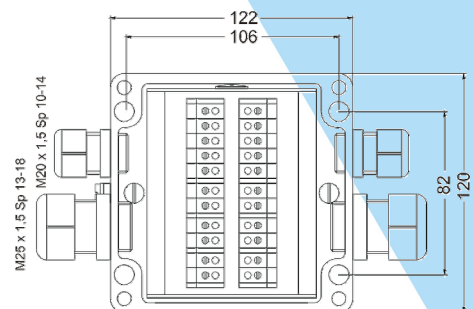
- 4 galvanically separated relay contacts in Ex- Area with minimal space requirements
- Switching power: 400V, 16A, 4kW

Safety

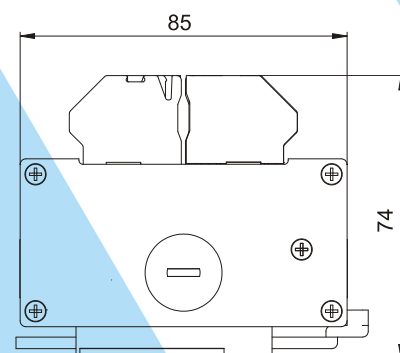
- system redundancy, easy integration in existing safety control systems



Dimensions



Housing height: 90mm



Module depth: 106mm

Description

The power relay SR853 is designed to separate non intrinsically safe supply lines in combination with a purging system inside hazardous areas.

For this purpose the SR 853 offers 4 galvanically isolated relay contacts, which open, if the control voltage is low. The opening is failsafe (1-failure fail safety), due to independent relay contacts in serial connection. The four relay channels, combined with the high switching power (400V, 16A, 4kW) can disconnect a three-phase-net within one compact unit.

The paired terminals 1/2 and 12/13 facilitate a cascading of several power relay units.

The SR853 is available in different housings:

- Completely installed in an Ex e- housing
- As a module with 2 x M6 threaded bolts or an 35mm rail for mounting in a separate, certified Ex e- housing.

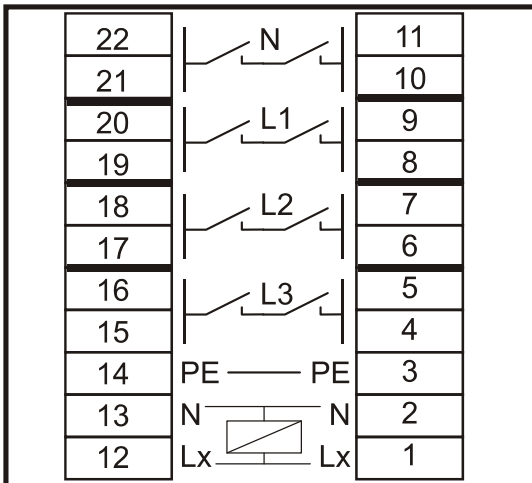
Technical Details

		Power relay SR853
General	Mounting	Ex- Area, Zone 1 & 21
	Ex- protection	II 2 G; Ex e q IIC T4 Gb II 2 D; Ex t IIIC T108°C Db
	Device group	II 2 G, II 2 D
	EC - type certificate	IECEX: TUN 14.0029 ATEX: TÜV 02 ATEX 1824
Ambient conditions	Ambient temperature	Type SR853.0/2/6.x: -20°C .. max. 60°C Type SR853.8.x.x: -20°C .. max. 50°C / 70°C
	Relative air humidity	5-95%, non condensing
Housing	Dimensions	SR853.x.0.x: 120 x 122 x 90mm SR853.x.1.x / SR853.x.2.x: 85 x 106 x 74mm
	Housing material	Aluminium
	Colour	RAL 7035, powder-coated
	Housing protection	IP65 (SR853.x.0.x)
Electrical specifications	Power consumption	< 5W
	Switch power SR853.0/2/6.x	AC: max. 420V, 16A, 30A/4s DC: max. 28V, 16A 4000VA
	Switch power SR853.8.x.x	AC: max. 400V, 16A, 30A/4s or 80A/20ms DC: max. 28V, 16A 4000VA
	Max. cable cross section	SR853.0/2/6.x up to 4mm ² SR853.8.x.x up to 6mm ²

Type code SR853.0/2/6.x

Power relay	SR 853	.	.
Line voltage			
	230 V AC0	
	120 V AC2	
	24 V AC and DC6	
Housing:			
	In Ex e- housing0	
	without Ex e- housing, 2 threaded bolts M61	
	without Ex e- housing, 35mm rail2	

Block diagram SR853.0/2/6.x.x

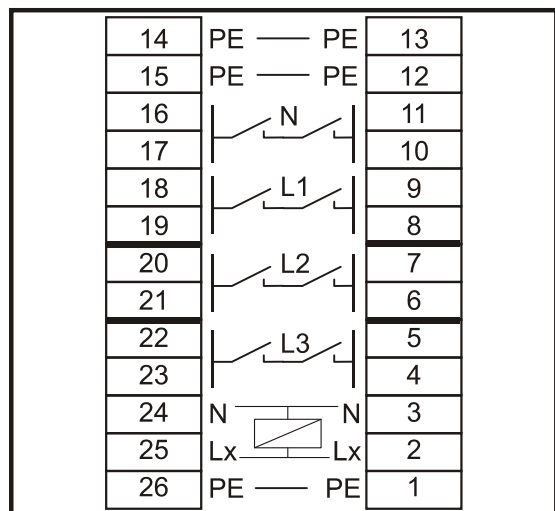


For inquiries and orders, the number and position of the cable glands must be specified. Without information, the SR853 will be delivered with 4 cable glands (see photo).

Type code SR853.8.x.x

Power relay	SR 853	.	.
Line voltage			
	24 V AC/DC - 230V AC8	
Housing:			
	In Ex e- housing0	
	without Ex e- housing, 2 threaded bolts M61	
	without Ex e- housing, 35mm rail2	
Ambient temperature and inrush current:			
	-20° ... 50°C with 30A/4s / 80A/20ms0	
	-20° ... 70°C with 30A/4s1	

Block diagram SR853.8.x.x



Gönnheimer Elektronik GmbH

http://www.goennheimer.de Email: info@goennheimer.de

Zertifiziertes

Qualitäts-

Managementsystem

nach

DIN EN ISO 9001

Dr.-Julius-Leber-Straße 2
67433 Neustadt/Weinstraße
Postfach 10 05 07
67405 Neustadt, Germany
phone: +49 (6321) 49919- 0
fax: +49 (6321) 49919 - 41